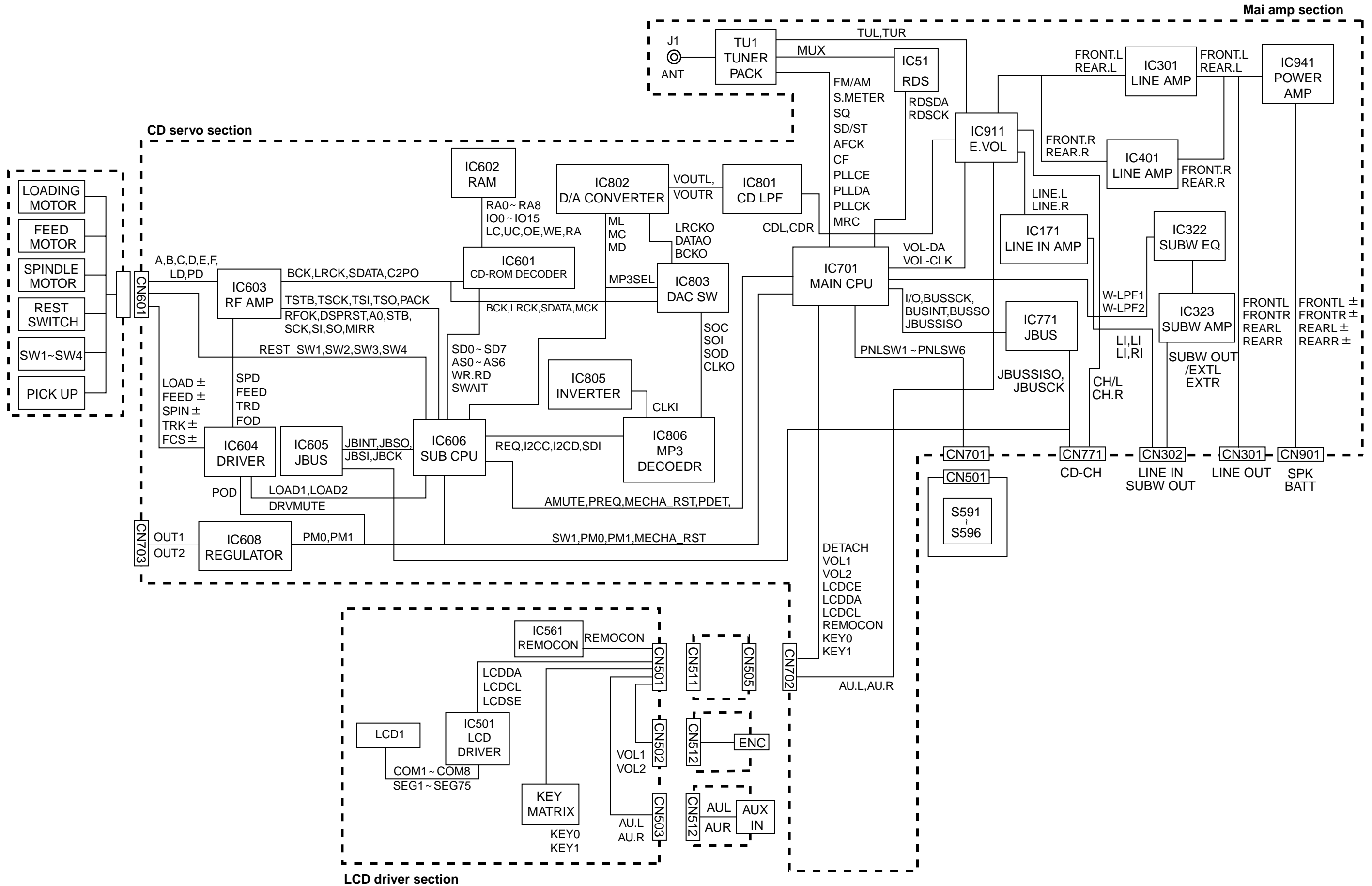


Block diagram



Standard schematic diagrams

Main amp section

KD-SH99

KD-SH99

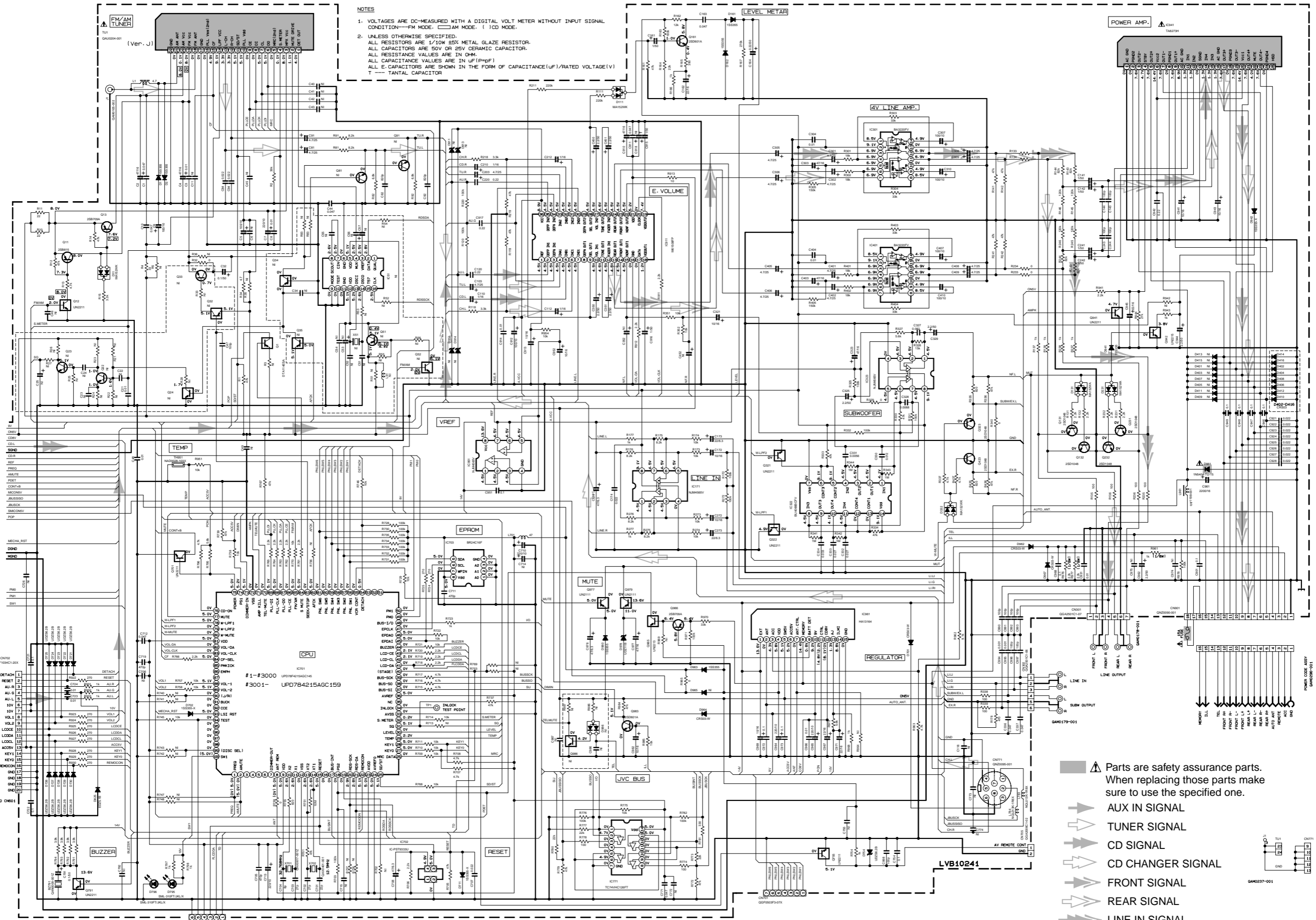
5

4

3

2

1



- Parts are safety assurance parts. When replacing those parts make sure to use the specified one.
- AUX IN SIGNAL
- TUNER SIGNAL
- CD SIGNAL
- CD CHANGER SIGNAL
- FRONT SIGNAL
- REAR SIGNAL
- LINE IN SIGNAL

CD servo control section

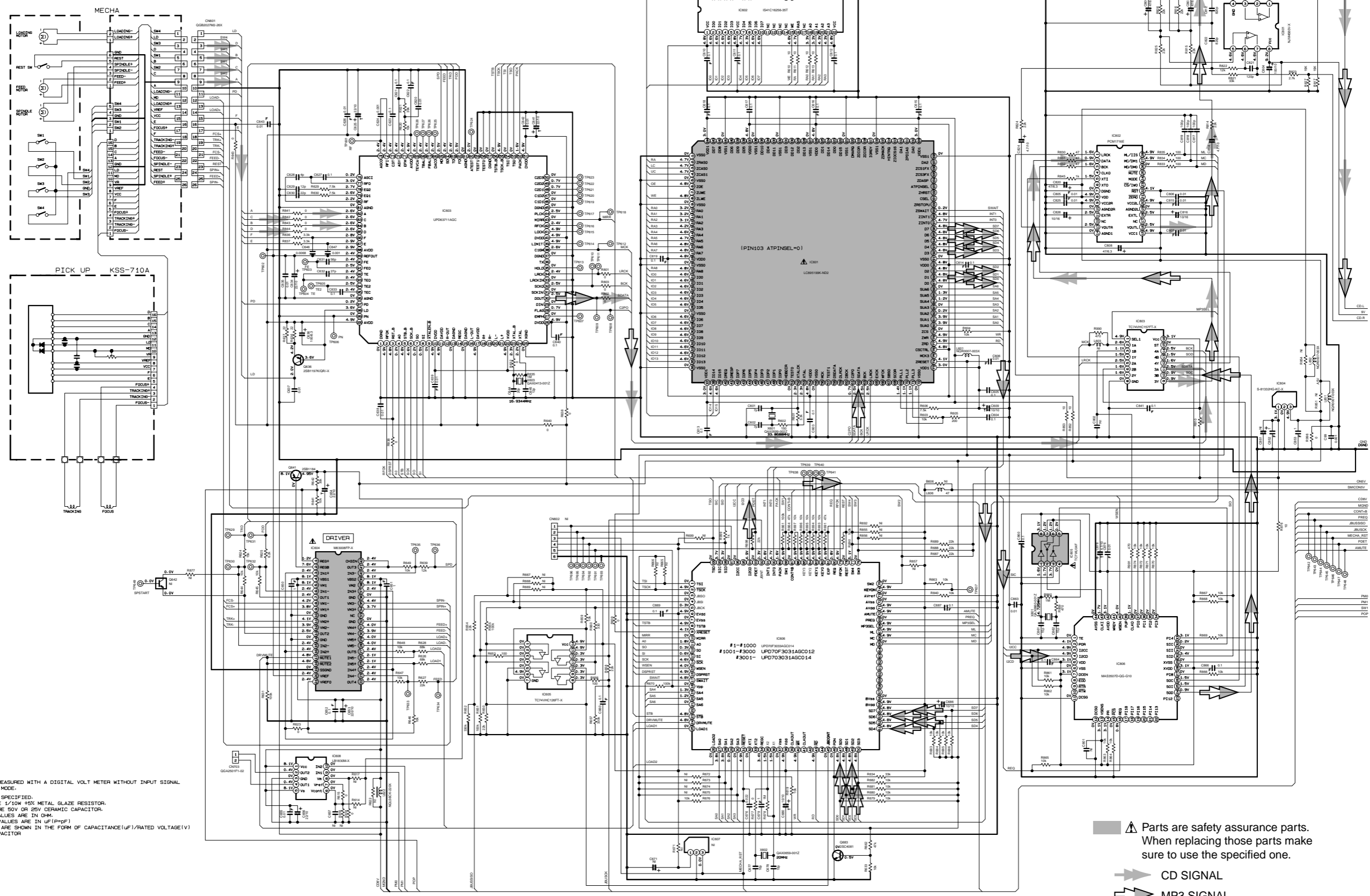
5

4

3

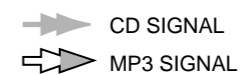
2

1



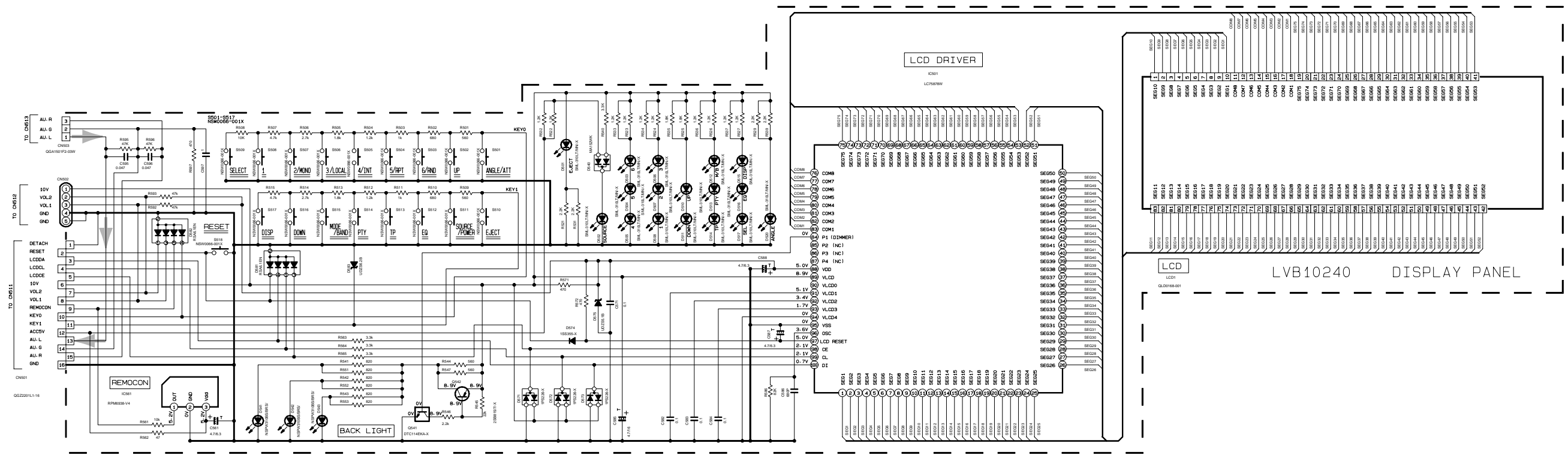
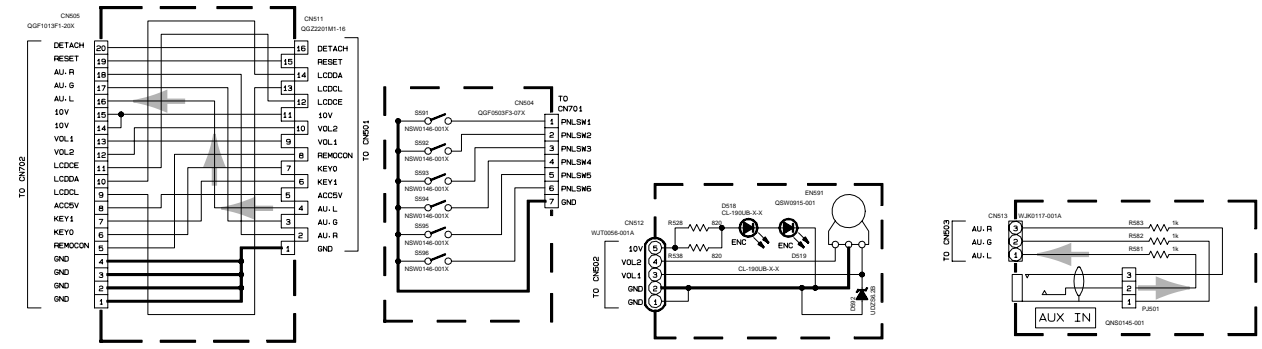
- NOTES
1. VOLTAGES ARE DC-MEASURED WITH A DIGITAL VOLT METER WITHOUT INPUT SIGNAL CONDITION --- CD MODE.
 2. UNLESS OTHERWISE SPECIFIED, ALL RESISTORS ARE 1/10W 1% METAL GLAZE RESISTOR. ALL CAPACITORS ARE 50V OR 25V CERAMIC CAPACITOR. ALL RESISTANCE VALUES ARE IN OHM. ALL CAPACITANCE VALUES ARE IN uF (µF) (MPF) ALL E. CAPACITORS ARE SHOWN IN THE FORM OF CAPACITANCE(uF)/RATED VOLTAGE(V) T --- TANTALUM CAPACITOR

▲ Parts are safety assurance parts. When replacing those parts make sure to use the specified one.



Note:1016901A2_LVS10169001A_2/2 MP3

LCD driver section



- NOTES**
- VOLTAGES ARE DC-MEASURED WITH A DIGITAL VOLT METER WITHOUT INPUT SIGNAL CONDITION --- CD MODE.
 - UNLESS OTHERWISE SPECIFIED:
 ALL RESISTORS ARE 1/10W ±5% METAL GLAZE RESISTOR.
 ALL CAPACITORS ARE 50V OR 25V CERAMIC CAPACITOR.
 ALL RESISTANCE VALUES ARE IN OHM.
 ALL CAPACITANCE VALUES ARE IN uF (P=pF)
 ALL E. CAPACITORS ARE SHOWN IN THE FORM OF CAPACITANCE (uF)/RATED VOLTAGE (V)
 T --- TANTALUM CAPACITOR

➔ AUX IN SIGNAL

5
4
3
2
1

Tuner pack section

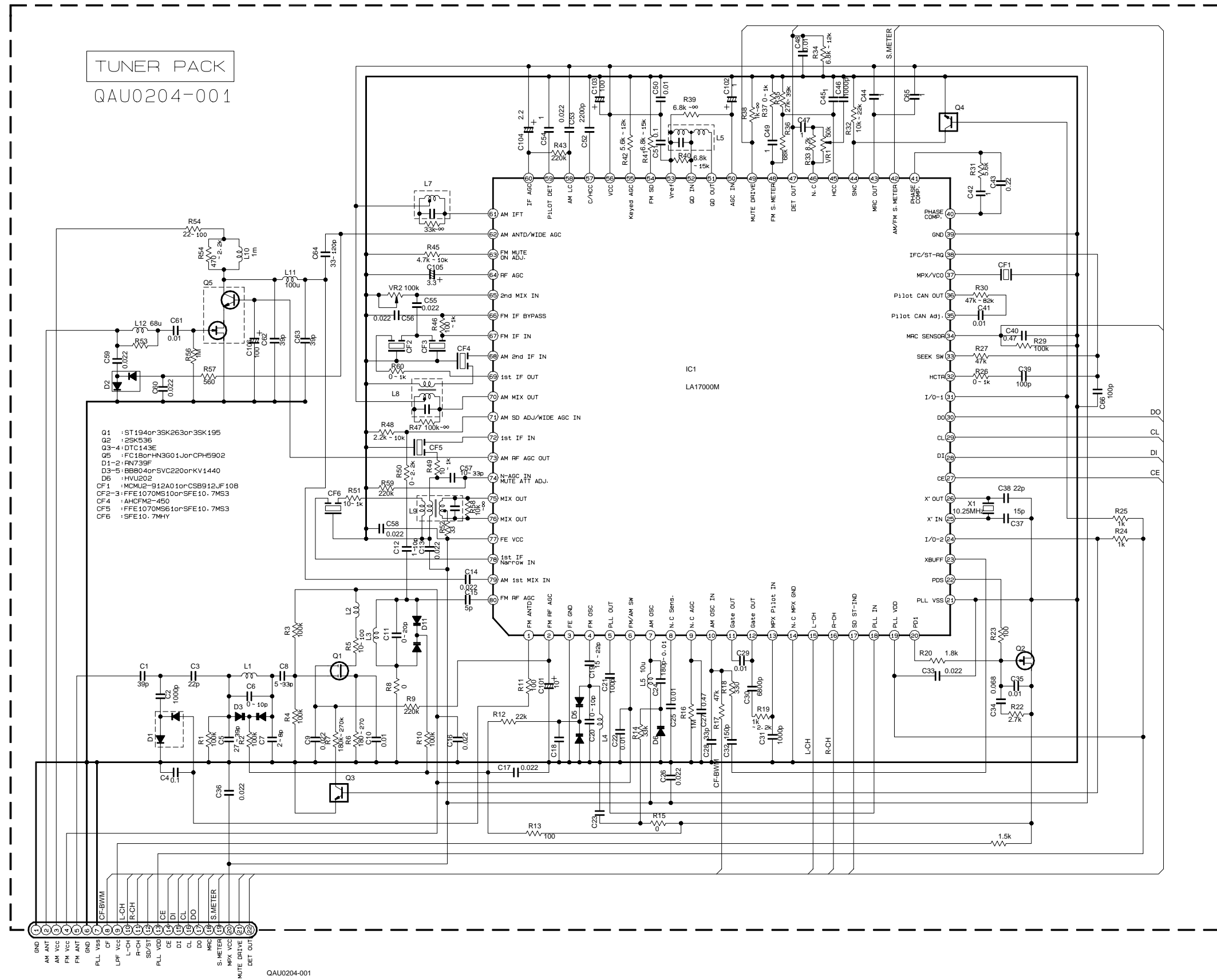
5

4

3

2

1



TUNER PACK
QAU0204-001

- Q1 : ST1940r3SK2630r3SK195
- Q2 : 2SK536
- Q3-4 : DTC143E
- Q5 : FC180rHN3G01JorCPH5902
- D1-2 : 1N739F
- D3-5 : BB8040rSVC2200rKV1440
- D6 : HVU202
- CF1 : MCMU2-912A010rCSB912UF10B
- CF2-3 : FFE1070MS100rSFE10.7MS3
- CF4 : AHCfM2-450
- CF5 : FFE1070MS610rSFE10.7MS3
- CF6 : SFE10.7MHY

QAU0204-001

A

B

C

D

E

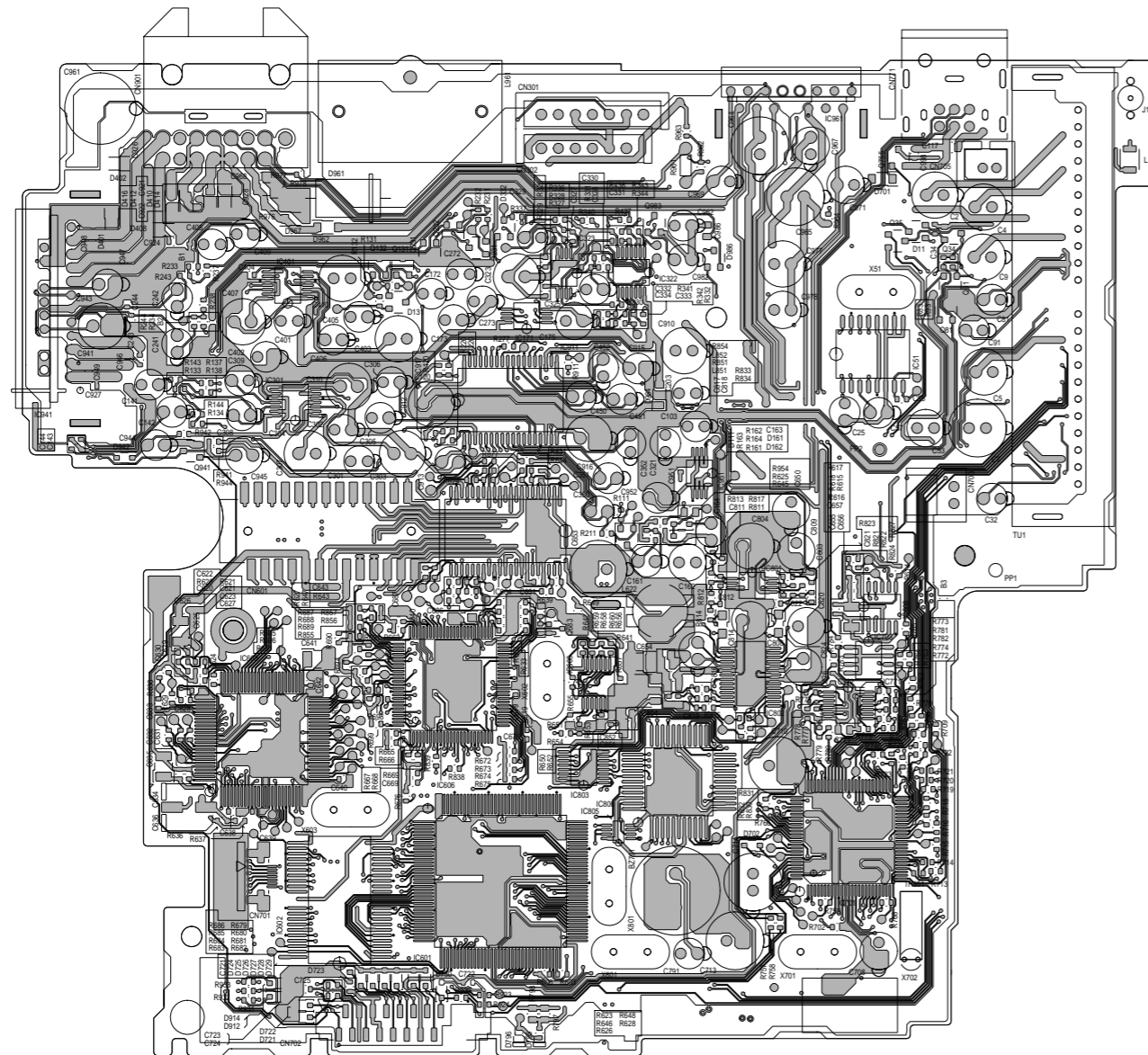
F

G

Printed circuit boards

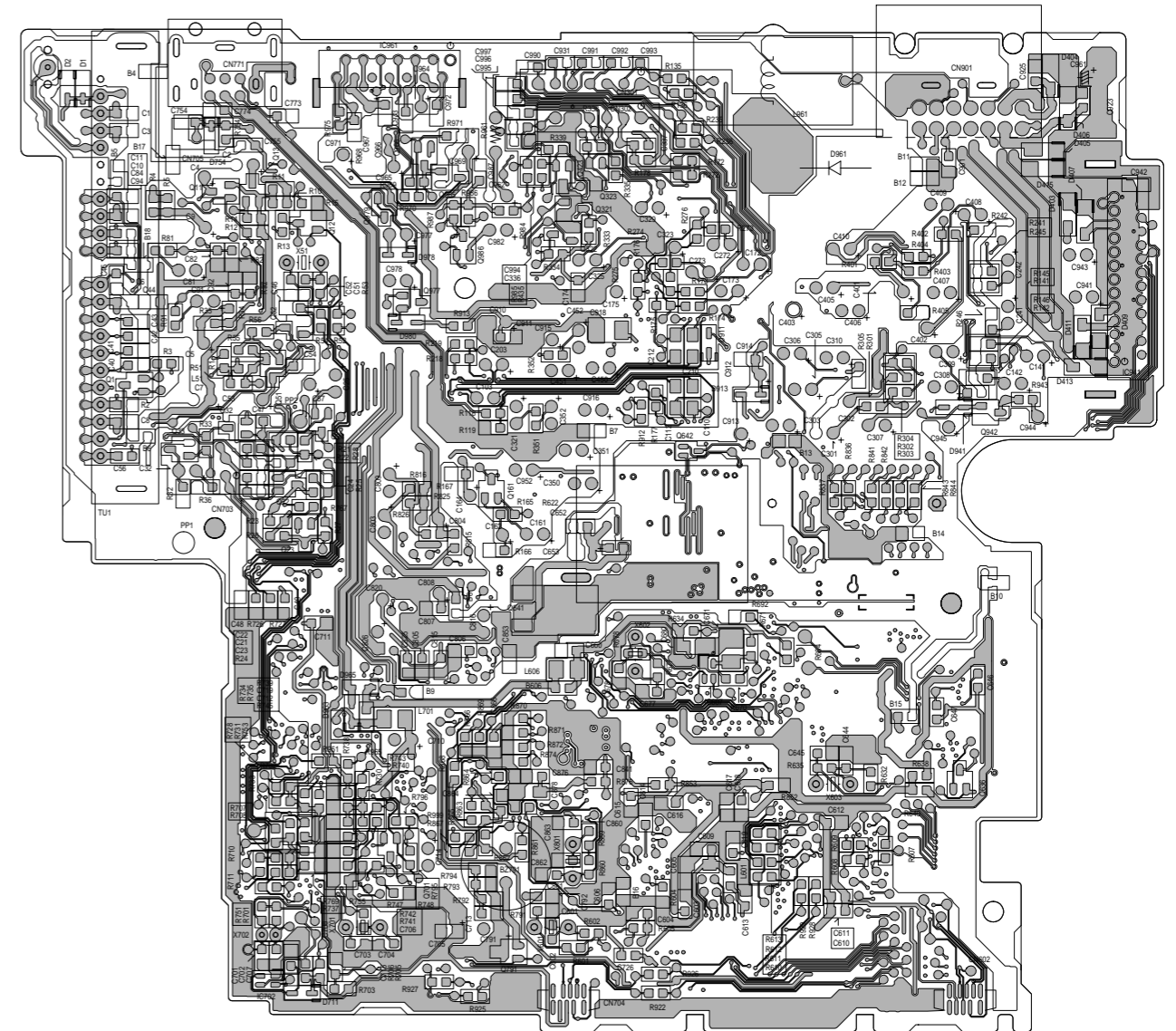
5
4
3
2
1

■ Main board
(Forward side)



Note: /d4/n/lvb10241/001a/10241
KD-SH99_J ver.

■ Main board
(Reverse side)

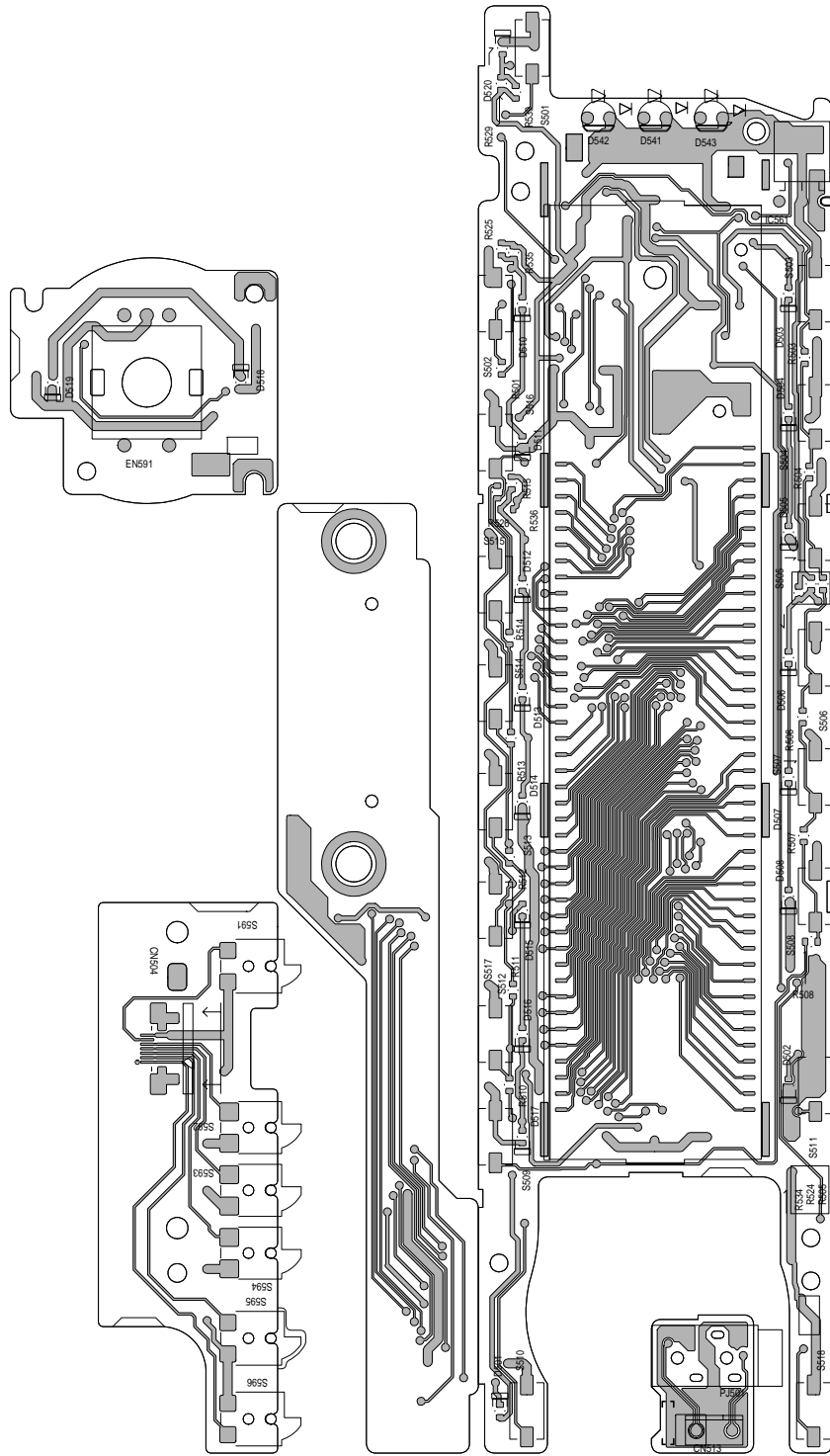


Note: /d4/n/lvb10241/001a/10241
KD-SH99_J ver.

A | B | C | 2-6 | D | E | F | G | H

■ Front board
(Forward side)

5
4
3
2
1



Note:/d4/n/lvb10240/001d/10240

■ Front board
(Reverse side)

